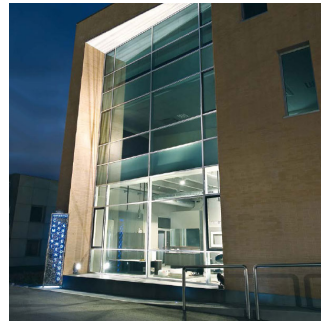




Vik Series

Floodlighting



Designer range LED floodlight with a choice of free standing or wall mounting installation.

Construction: Die-cast Aluminium housing IP65. IK09. Gear is housed in the base. The tiltable short stem version is supplied as standard. A long stem, also tiltable is available on request.

Lens: Clear tempered glass 5mm.

Finish: Light Grey finish as standard. Anthracite Grey on request.

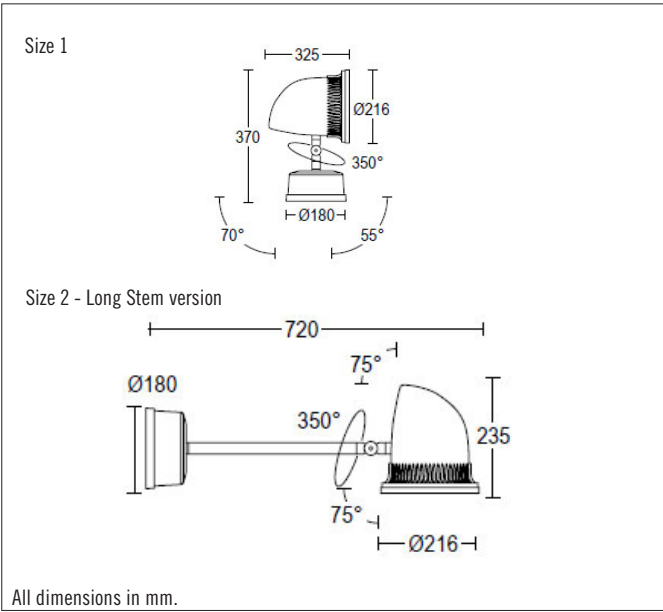
LED: Available in 26w-39w LED. 4K as standard, 3K on request. Available with 10°, 28° or 71° beam angle.

Options: 3K, DALI, Anthracite Grey finish, different beam options, long stem version.

Product Compliance: EN 60598, CE.



DIMENSIONS



ORDERING CODE

Wattage	Type	Size	10° beam version	28° beam version	71° beam version	Details	Lumens*
26w	LED	1	G-5564.CHS.T	G-5564.CHM.T	G-5564.CHF.T	Vik Series, 4K	3530 lm
39w	LED	1	G-5564.CES.T	G-5564.CEM.T	G-5564.CEF.T	Vik Series, 4K	5090 lm
26w	LED	2	G-5568.CHS.T	G-5568.CHM.T	G-5568.CHF.T	Vik Series, 4K, Long Stem version	3530 lm
39w	LED	2	G-5568.CES.T	G-5568.CEM.T	G-5568.CEF.T	Vik Series, 4K, Long Stem version	5090 lm

*Source lumens

OPTIONS

3K: 3000K, Warm White
.05: Anthracite Grey Finish
.13: Light Grey Finish