



Mini Confine

Recessed Wall light



Wall recessed luminaire suitable for pathways, driveways or similar applications.

Construction: Die-cast Aluminium with tempered glass lens. IP66. IK10.

Lens: Clear tempered glass lens 15mm.

Installation: External wall recessed with separate installation frame.

Finish: Stainless steel trim.

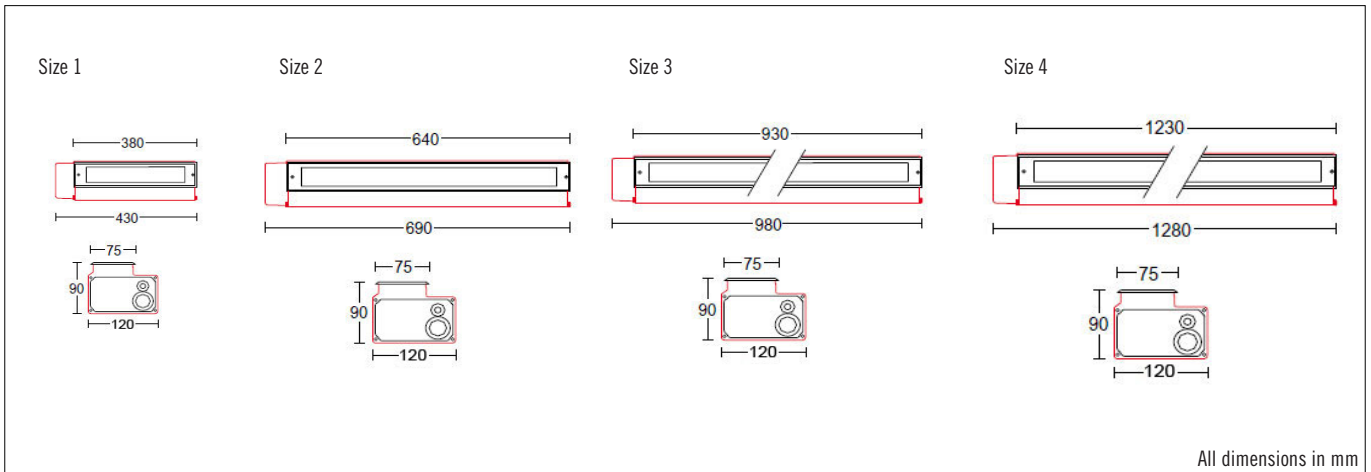
LED: 4w - 16w LED. 4K as standard, 3K on request.

Driver: Internal.

Options: DALI, 3K, ground recessed version also available.

Product Compliance: EN 60598, CE.

DIMENSIONS



ORDERING CODE

Wattage	Type	Size	Code	Details	+Frame	Lumens*
4w	LED	1	G-1179.FZX.A.15	Mini Confine, 4K, LED driver integral	G-603	360 lm
9w	LED	2	G-1180.LZX.A.15	Mini Confine, 4K, LED driver integral	G-604	720 lm
12w	LED	3	G-1181.R6X.A.15	Mini Confine, 4K, LED driver integral	G-605	1020 lm
16w	LED	4	G-1182.EFX.A.15	Mini Confine, 4K, LED driver integral	G-606	1380 lm

*Source lumens

OPTIONS

3K: 3000K, Warm White
DALI: DALI on request