



Merrion Series

External lighting



Classical shaped luminaire in 2 sizes, with a choice of mounting brackets, wattages to 140w LED or 250w HID and a high performance street optic.

Construction: Die-cast dome, with spun aluminium canopy. IP65.

Lens/diffuser: Clear shallow Polycarbonate bowl as standard. Deep Bowl option (see photo on next page) available in large size only.

Installation: Pendant mounted with a choice of brackets. Swan-neck bracket shown in product picture above. Product can be altered to match existing Brackets on site.

Finish: Black, RAL 9005 as standard, inside white. Other colours on request.

Lamps: 35w-250w MH & 70w-250w HPS.

LED: 20w-140w LED, 4K as standard.

LED Lifetime: (at 25°C)
L80 B10 100,000 hrs.

Driver: 700mA as standard.
350mA or 500mA on request.

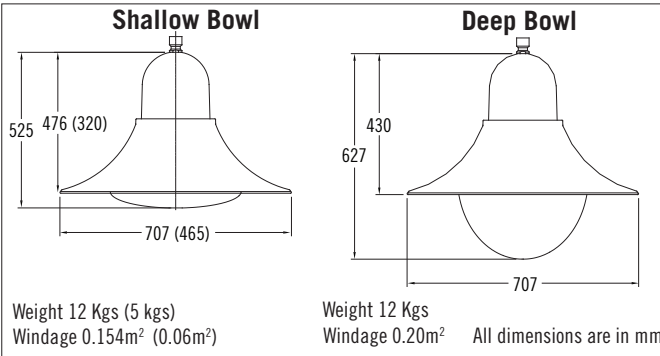
Mains Surge Protection: L-N 6 kV.
(10 kV on request).

LED Options: Constant Light Output (CLO), DALI, Dimming (1-10V), Part-night Dimming, 3K or 5K colour temperatures, Mini-PhotoCell.

Product Compliance: EN 60598, CE.

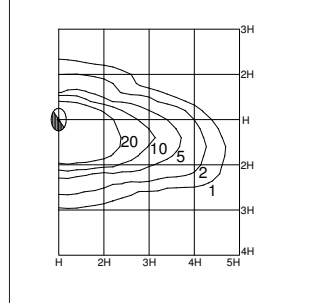


LUMINAIRE DIMENSIONS - Mini-Merrion Dims in Brackets



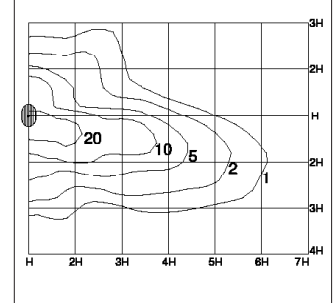
APPLICATION GUIDE

Merrion Series
70w LED
M-Optic
6m Height
Contours in lux
M. Factor = 0.90

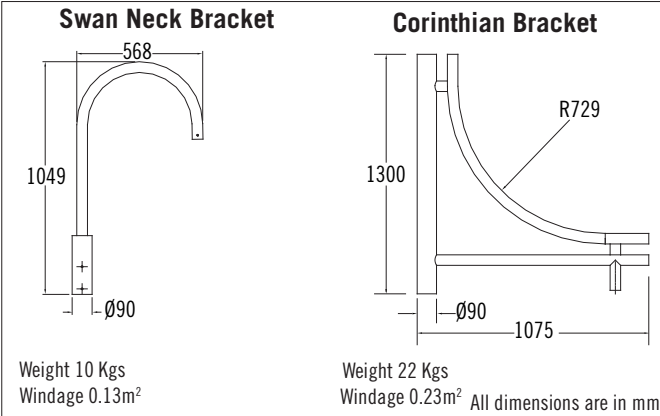


APPLICATION GUIDE

Merrion Series
70w LED
S-Optic
6m Height
Contours in lux
M. Factor = 0.90



BRACKET DIMENSIONS - to suit Ø76mm post top pole



ORDERING CODE

Wattage	Mini Merrion S Optic	Merrion - HPS/MH	Merrion - S Optic	Merrion - M Optic	Merrion - Symmetric	Details	Lumens
70w HPS/MH	-	5MER11SBA	-	-	-	Merrion E27	-
150w HPS/MH	-	5MER13SBA	-	-	-	Merrion E40	-
250w HPS/MH	-	5MER15SBA	-	-	-	Merrion E40	-
20w LED	5MMA02LBA	-	-	-	-	Mini-Merrion	2075 lm
36w LED	5MMA04LBA	-	5MER04LBA	-	-	Merrion/Mini-Merrion	3925 lm
70w LED	5MMA08LBA	-	5MER08LBA	5MER08LBB	5MER08LBC	Merrion/Mini-Merrion	7850 lm
110w LED	-	-	5MER11LBA	5MER11LBB	5MER11LBC	Merrion	11775 lm
140w LED	-	-	5MER14LBA	5MER14LBB	5MER14LBC	Merrion	15700 lm

OPTIONS

RAL: Pls specify
PC: Mini-Photocell
DBW: Deep Bowl
3K: 3000 K
5K: 5000 K
CLO: Constant Light Output
DALI: Dali Dimming
PNDim: Part-Night Dimming
DIM: 1-10V Dimming

+ ORDERING CODE for brackets

Code	Description
5MER00002	Single Swan Neck Bracket
5MER00005	Twin Swan Neck Bracket (Parallel Type)
5MER00006	Single Corinthian Bracket
5MER00007	Twin Corinthian Bracket